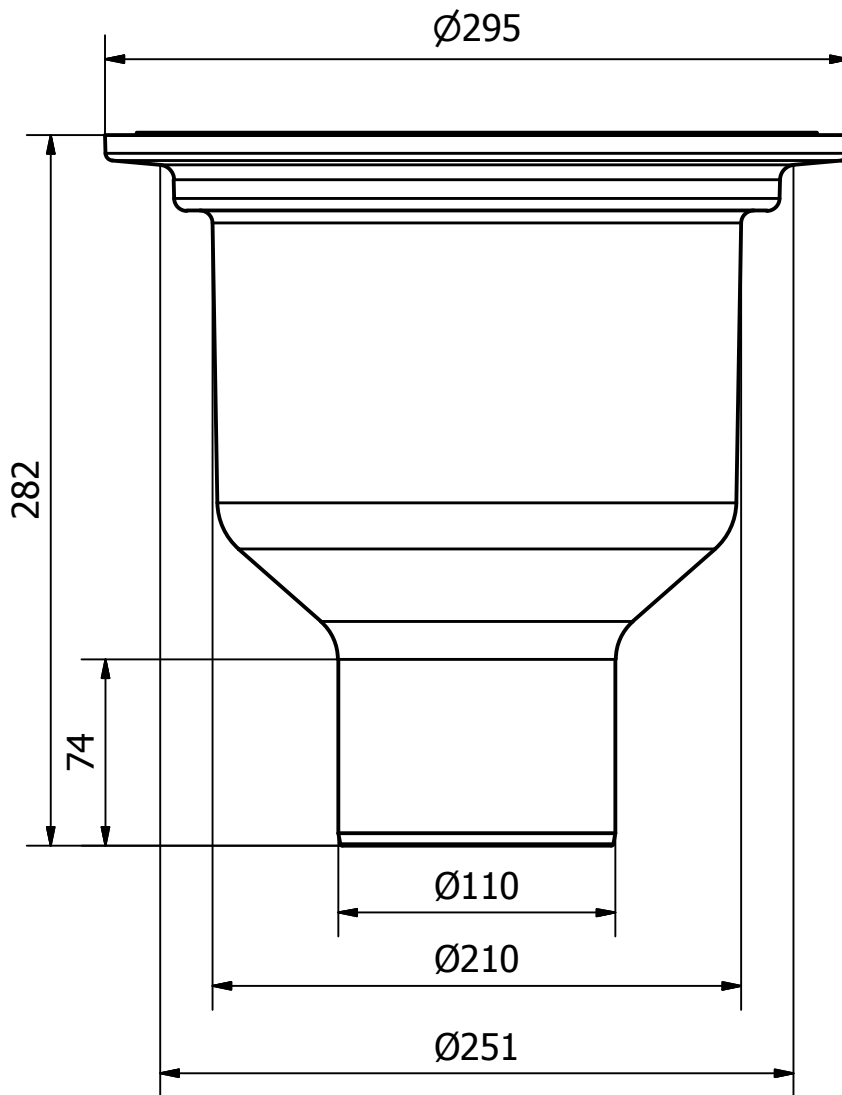




This document must not be copied without our written permission, and the contents thereof must not be imported to a third party nor be used for any unauthorized purpose. Contravention will be prosecuted. Purus AB



Den här handling får ej utan vårt medgivande kopieras. Den får ej heller delgivas annan eller eljest obehörigen användas. Överträdelse härav beivras med stöd av gällande lag. Purus AB

| | | | | | | | |
|---|------------|-------------------------------|------------------------------|--|---|---------------------|--------------|
| A4 | Annotation | This drawing replace | Replaced by | Date |   | Page 1/(1) | Scale 1:3 |
| PURUS | | General tolerance. ISO 2768-1 | Weight (gram) 1981,686 g | Volume (mm ³) 1981686,147 mm ³ | Approved by | Date | |
| Purus AB Södra Dragongantan 15 SE-27139 YSTAD SWEDEN Ph +46 104144900 Fax +46 104144996 www.purus.se | | Material | Surface treatment | Designer Mattias.niegemann | Created date 2017-10-09 | | |
| Name Heavy 110 E | | | Article no 7102827 | | | Edition A | |